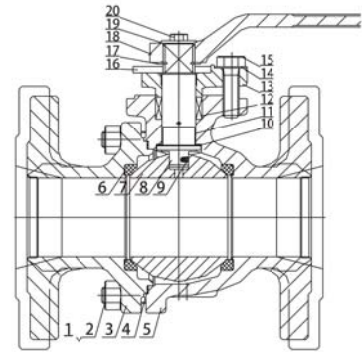


# Ball Valves (Overall Dimensions)

Casting steel floating ball valve

### Main part materials list

No	Part name	Material
1	Nut	A194-2H
2	Bolt	A193-B7
3	Bonnet	A216-WCB
4	Gasket	PTFE/Graphite
5	Body	A216-WCB
6	Seat	RPTFE
7	Ball	A182-F304
8	Stem	A182-F6a
9	Sping	304
10	Ball	304
11	Gasket	PTFE
12	Stem bearing	PTFE
13	Packing	PTFE/Graphite
14	Packing gland	A216-WCB
15	Sping washer	60Si2Mn
16	Screw	A193 B7
17	Stopper plate	1025+Zn
18	Back stop	65Mn
19	lever	A216 WCB
20	washer	304
	screw	A193 B7



### CLASS150 Dimention chart

Unit(mm)

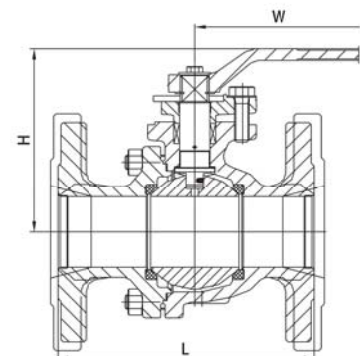
SIZE	DN	L	H	W
1/2	13	108	85	130
3/4X1/2	19	117	85	130
1/2	19	117	90	130
1X1/4	25	127	90	130
1	25	127	100	185
1 1/2X1	32	140	100	185
1 1/4	32	140	105	185
1 1/2X1 1/4	38	165	105	185
1 1/2	38	165	120	250
2X1 1/2	49	178	120	250
2	49	178	130	250
2 1/2X2	62	190	130	250
2 1/2	62	190	155	365
3X2 1/2	74	203	155	365
3	74	203	165	365
4X3	100	229	165	365
4	100	229	185	400
5	100	229	185	400
6X4	127	356	300	1050
6	150	267	185	400
8X6	150	394	320	1050
8	201	292	320	1050
	201	457	370	1050



### CLASS300 Dimention chart

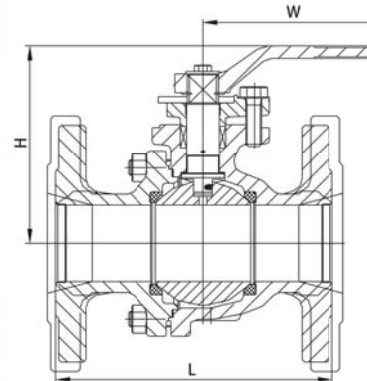
Unit(mm)

SIZE	DN	L	H	W
1/2	13	140	85	130
3/4X1/2	19	152	85	130
1/2	19	152	90	130
1X1/4	25	165	90	130
1	25	165	100	185
1 1/2X1	32	178	100	185
1 1/4	32	178	105	185
1 1/2X1 1/4	38	190	105	185
1 1/2	38	190	120	250
2X1 1/2	49	216	120	250
2	49	216	130	250
2 1/2X2	62	241	130	250
2 1/2	62	241	155	365
3X2 1/2	74	283	155	365
3	74	283	165	365
4X3	100	305	165	365
4	100	305	185	400
5	100	305	185	400
6X4	127	381	300	1050
6	150	403	185	400
8X6	150	403	320	1050
8	201	419	320	1050
	201	502	370	1050



# Ball Valves (Overall Dimensions)

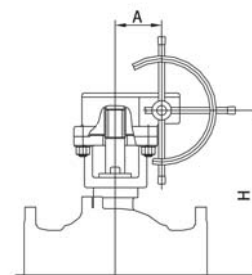
CLASS600 Dimention chart				Unit(mm)
SIZE	DN	L	H	W
1/2	13	165	85	130
1/2X1/2	19	190	85	130
3/4	19	190	90	130
1X1/4	25	216	90	130
1	25	216	100	185
1 1/4X1	32	229	100	185
1 1/4	32	229	105	185
1 1/2X1 1/4	38	241	105	185
1 1/2	38	241	120	250
2X1 1/2	49	292	120	250
2	49	292	130	250
2 1/2X2	62	330	130	250
2 1/2	62	330	155	365
3X2 1/2	74	356	155	365
3	74	356	165	400
4X3	100	432	165	400
4	100	432	185	600



CLASS900 Dimention chart				Unit(mm)
SIZE	DN	L	H	W
1/2	13	216	100	185
3/4	19	229	105	185
1	25	254	115	250
1 1/4	32	279	125	250
1 1/2	38	305	130	250
2	49	368	160	365



CLASS1500 Dimention chart				Unit(mm)
SIZE	DN	L	H	W
1/2	13	216	100	185
3/4	19	229	105	250
1	25	254	115	250
1 1/4	32	279	125	365
1 1/2	38	305	130	365
2	49	368	160	500



Gear operation dimention chart				Unit(mm)			
			Gear operator				
			H	W	B	A	
	6	6	350	320	214	100	
	8	8	415	350	234	120	

