

# Globe valve



## ◆ Cast steel globe valve design structure and feature

Design and manufacture conform to ASME16.34 & BS 1873, Test and check conform to API 598.

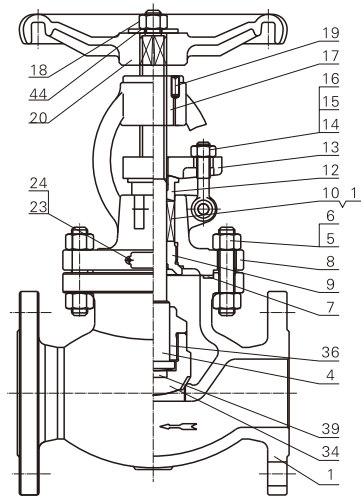
### ◆ Adopt the following structure

Taper sealing disc or soft sealing structure  
Self-centering gland or plate Renewable seat  
Bolted bonnet, spiral would eight-square gasket sealing  
bonnet or pressure seal bonnet

### ◆ According to the following standard

Flange ends conform to ASME B 16.5  
Butt-welding end conform to ASME B 16.25  
Face to face dimension conform to ASME B 16.10  
Operation type: electrical, pneumatic, hydraulic and gear drive etc

# Globe Valve

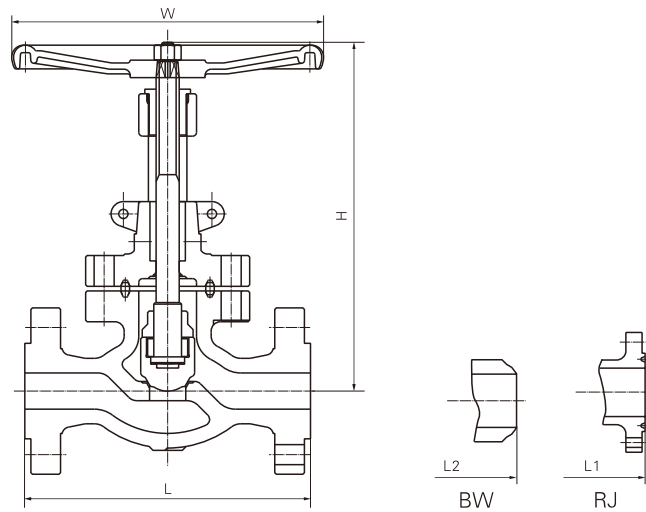


## Main parts material sheet

Item	Part name	WCB	C5	WC6	CF8	CF8M
1	Body	A216 WCB	A217 C5	A217 WC6	A351 CF8	A351 CF8M
4	Stem	A182 F6a	A182 F6a	A182 F6a	A182 F6a	A479 316
5	Bolt	A193 B7	A193 B7	A193 B7	A193 B8	A193 B8M
6	Nut	A194 2H	A194 2H	A194 2H	A194 8	A194 8M
7	Gasket 150Lb	Graphite				Graphite sheet
	Gasket 300Lb	304+flexible graphite				Spiral wound
	Gasket ≥600Lb	F304				Spiral wound
8	Bonnet	A216 WCB	A217 C5	A217 WC6	A351 CF8	A351 CF8M
9	Backseat	A182 F6a	A182 F6a	A182 F6a	A182 F304	A182 F316
10	Packing	304+flexible graphite				Pillar 6610+6528
11	Distance ring	A182 F6a	A182 F6a	A182 F6a	A182 F304	A182 F316
12	Packing gland	A182 F6a	A182 F6a	A182 F6a	A182 F304	A182 F316
13	Packing plate	A216 WCB	A216 WCB	A216 WCB	A351 CF8	A351 CF8
14	Eye bolt	A193 B7	A193 B7	A193 B7	A193 B7	A193 B8
15	Nut	A194 2H	A194 2H	A194 2H	A194 2H	A194 8
16	Pin	1035	1035	1035	304	304
17	Stem nut	A439 Type D2	A439 Type D2	A439 Type D2	A439 Type D2	A439 Type D2
18	Locking nut	1035	1035	1035	1035	1035
19	Locking screw	1035	1035	1035	1035	1035
20	Hand wheel	AISI 1118	AISI 1118	AISI 1118	AISI 1118	AISI 1118
23	Nameplate	AISI 304	AISI 304	AISI 304	AISI 304	AISI 304
24	Rivet	AL	AL	AL	AL	AL
34	Disc	A105/STL.6	A335-P5/STL.6	A182 F11/STL.6	A182 F304	A182 F316
36	Disc cover	1035	304	304	304	316
39	垫块	410	410	410	304	304
44	washer	1035	1035	1035	1035	1035

Note: the distance ring should be installed if user require

# Globe Valve



## CL900

Spec (NPS)	in	2	2 1/2	3	4	6	8	10	12	14	16
Face to face(mm)	<b>L</b>	368	419	381	457	610	737	838	965	1029	1130
	<b>L2</b>	368	419	381	457	610	737	838	965	1029	1130
	<b>L1</b>	371	422	384	460	613	740	841	968	1039	1140
Center height(mm)	<b>H</b>	430	580	675	780	870	980	1010	1300	1400	1600
Hand wheel diameter(mm)	<b>W</b>	320	320	350	500	850	560	-	-	-	-
Weight (Kg)		58	92	144	225	502	720	-	-	-	-