

Globe valve



◆ Cast steel globe valve design structure and feature

Design and manufacture conform to ASME16.34 & BS 1873, Test and check conform to API 598.

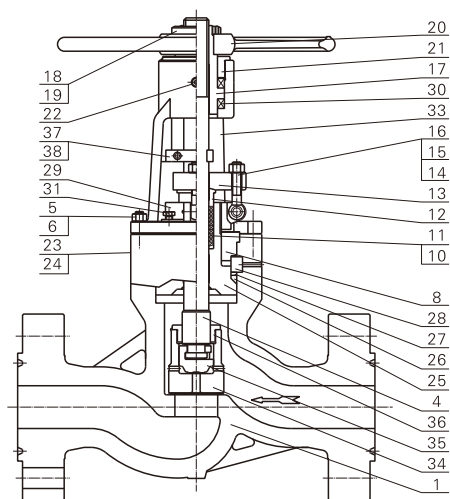
◆ Adopt the following structure

Taper sealing disc or soft sealing structure
Self-centering gland or plate Renewable seat
Bolted bonnet, spiral would eight-square gasket sealing
bonnet or pressure seal bonnet

◆ According to the following standard

Flange ends conform to ASME B 16.5
Butt-welding end conform to ASME B 16.25
Face to face dimension conform to ASME B 16.10
Operation type: electrical, pneumatic, hydraulic and gear drive etc

Globe Valve

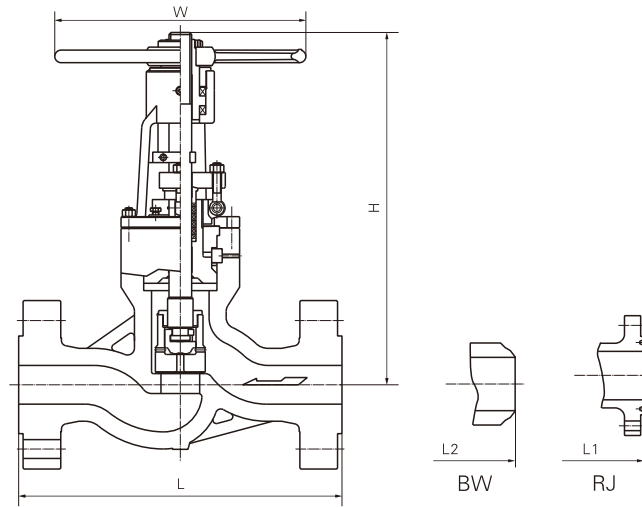


Main parts material sheet

| Item | Part name | WCB | WC6 | WC9 | CF8 | CF3M | CE3MN |
|------|----------------------|-----------------------|-----------------------|-----------------------|-----------------------|-----------------------|-----------------------|
| 1 | Body | A216 WCB | WC6 | WC9 | CF8 | CF3M | CE3MN |
| 4 | Stem | A182 F6a | A182 F6a | A182 F6a | A182 F304 | F316L | F53 |
| 5 | Bolt | A193 B7 | A193 B7 | A193 B7 | A193 B8 | A193 B8M | A193 B8M |
| 6 | Nut | A194 2H | A194 2H | A194 2H | A194 8 | A194 8M | A194 8M |
| 8 | Bonnet | A216 WCB | A216 WCB | A216 WCB | A351 Cf8 | A351 Cf8 | A351 Cf8 |
| 10 | Packing | Flexible graphite | Flexible graphite | Flexible graphite | Flexible graphite | Flexible graphite | Flexible graphite |
| 11 | Distance ring | A182 F6a | A182 F6a | A182 F6a | A182 F304 | F316L | F53 |
| 12 | Packing gland | A182 F6a | A182 F6a | A182 F6a | A182 F304 | F316L | F53 |
| 13 | Packing plate | A216 WCB | A216 WCB | A216 WCB | A182 CF8 | A182 Cf8 | A182 Cf8 |
| 14 | Eye bolt | A193 B7 | A193 B7 | A193 B7 | A193 B8 | Flexible graphite | Flexible graphite |
| 15 | Nut | A194 2H | A194 2H | A194 2H | A194 8 | A194 8M | A194 8M |
| 16 | Pin | 1035 | 1035 | 1035 | 304 | 304 | 304 |
| 17 | Stem bolt | A439 D2 | A439 D2 | A439 D2 | A439 D2 | A439 D2 | A439 D2 |
| 18 | Locking nut | 1035 | 1035 | 1035 | 1035 | 1035 | 1035 |
| 19 | Locking screw | 1035 | 1035 | 1035 | 1035 | 1035 | 1035 |
| 20 | Hand wheel | AISI 1118 | AISI 1118 | AISI 1118 | AISI 1118 | AISI 1118 | AISI 1118 |
| 21 | Bearing gland | 1035 | 1035 | 1035 | 1035 | 1035 | 1035 |
| 22 | Oil cup | Finished product | Finished product | Finished product | Finished product | Finished product | Finished product |
| 23 | Nameplate | 304 | 304 | 304 | 304 | 304 | 304 |
| 24 | Rivet | AL | AL | AL | AL | AL | AL |
| 25 | Pressure seal seat | A216 WCB | A216 Wc6 | A216 Wc9 | Cf8 | CF3M | CE3MN |
| 26 | Pressure seal gasket | 304+flexible graphite | 304+flexible graphite | 304+flexible graphite | 304+flexible graphite | 304+flexible graphite | 304+flexible graphite |
| 27 | Pressure seal ring | A182 F6a | A182 F304 | A182 F304 | A182 F304 | A182 F316L | A182 F53 |
| 28 | Segment ring | A182 F6a | A182 F11 | A182 F22 | A182 F304 | A182 F316L | A182 F53 |
| 29 | Hanger Roke | A216 WCB | A216 WCB | A216 WCB | CF8 | CF8 | CF8 |
| 30 | Bearing | 40Cr | 40Cr | 40Cr | 40Cr | 40Cr | 40Cr |
| 31 | Hanger bolt | A193 B7 | A193 B7 | A193 B7 | A193 B8 | A193 B8 | A193 B8 |
| 33 | Roke | A216 WCB | A216 WCB | A216 WCB | CF8 | CF8 | CF8 |
| 34 | Main disc | A105 | A182 F11 | A182 F22 | A182 F304 | A182 F316L | A182 F53 |
| 35 | Auxiliary disc | A105 | A182 F11 | A182 F22 | A182 F304 | A182 F316L | A182 F53 |
| 36 | Disc cover | 1035 | 1035 | 1035 | A182 F304 | A182 F316L | A182 F53 |
| 37 | Guide pad | 1045 | 1045 | 1045 | 1045 | 1045 | 1045 |
| 38 | Hex. Bolt | A193 B7 | A193 B7 | A193 B7 | A193 B7 | A193 B7 | A193 B7 |

Note: the distance ring should be installed if user require

Globe Valve



CL900

| Spec (NAP) | in | 2 | 2 ¹ / ₂ | 3 | 4 | 6 | 8 | 10 | 12 | 14 |
|-------------------------|-----------|-----|-------------------------------|-----|-----|-----|-----|------|------|------|
| Face to face(mm) | L | 368 | 419 | 381 | 457 | 610 | 737 | 838 | 965 | 1029 |
| | L1 | 371 | 422 | 384 | 460 | 613 | 740 | 841 | 968 | 1039 |
| | L2 | 216 | 254 | 305 | 356 | 508 | 660 | 787 | 914 | 990 |
| Center height(mm) | H | 457 | 457 | 457 | 584 | 825 | 990 | 1186 | 1320 | 1524 |
| Hand wheel diameter(mm) | W | 406 | 406 | 406 | 406 | 711 | 711 | 914 | 914 | 914 |
| Weight (Kg) weld | | 41 | 41 | 41 | 90 | 261 | 437 | 727 | 1030 | 1534 |
| Weight (Kg) flange | | 68 | 68 | 68 | 124 | 346 | 600 | 929 | 1324 | 2009 |