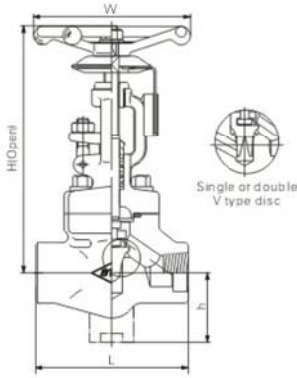


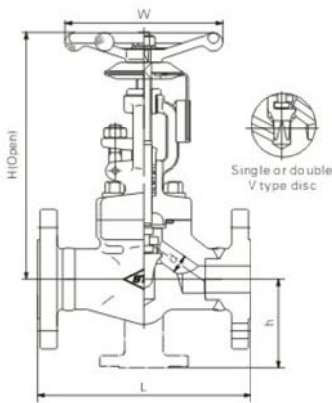
Linear regulating valves



CL800

Bolted bonnet, full port outside screw and yoke (OS & Y)
Threaded, butt-welded or socket welded ends; design to BS5352

Specification(NPS)	F.P	1/4	3/8	1/2	3/4	1	1 1/4	1 1/2	2
Face to face	L	73	73	80	100	114	145	160	220
Handwheel diameter	W	100	100	100	125	160	160	180	200
Height	H	155	155	160	198	217	235	273	303
Height (angle dimension)	SW & NPT(Rc)	40	40	40	45	50	55	60	70
Flow port dimension	d	7.0	9.0	12	17.5	22.5	29	35	44
Weight(Kg)		1.6	1.6	1.9	3.2	4.9	6.3	9.7	12.5
Flow coefficient Cv	Single disc	0.2	0.5	0.5	1.0	2.0	5.2	5.2	7.0
	Four part disc	0.4	1.0	1.0	2.0	4.0	10.4	10.4	14

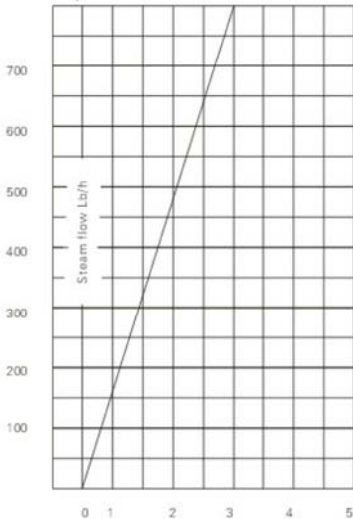


CL150-300-600

Bolted bonnet, reducing port outside screw and yoke (OS & Y)
Threaded, butt-welded or socket welded ends; design to BS5352

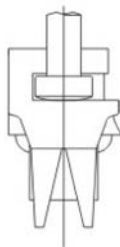
Specification(NPS)	R.P	1/4	3/8	1/2	3/4	1	1 1/4	1 1/2	2
Face to face	CL150	-	-	108	118	127	-	165	203
	CL300	-	-	153	178	203	-	229	267
	CL600	-	-	165	191	216	-	241	292
	W	-	-	100	100	125	-	160	180
Height	H	-	-	155	160	198	-	235	273
Height (angle dimension)	SW & NPT(Rc)	-	-	40	45	50	-	60	70
Flow port dimension	d	-	-	9.0	12	17.5	-	29	35
	CL150	-	-	2.6	3.3	4.9	-	8.8	14
Weight(Kg)	CL300	-	-	3.25	4.58	6.7	-	12.1	17
	CL600	-	-	3.5	4.8	7.2	-	13.2	18.5
		CL150	-	-	0.5	1.0	2.0	-	5.2
Flow coefficient Cv	Single disc	-	-	0.5	1.0	2.0	-	5.2	7.0
	Four part disc	-	-	1.0	2.0	4.0	-	10.4	14

Typical stream flow chart(from experiment)

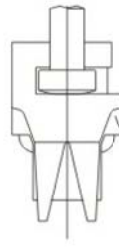


If you want to order one piece body, please contract with our sale department

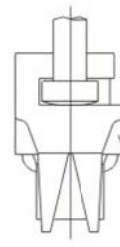
Regulating valves operation



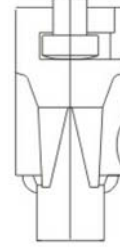
When valves full closed, disc and seat could be shut tightly.



When the disc is opened a little it allows media to flow acc.to a known quota.

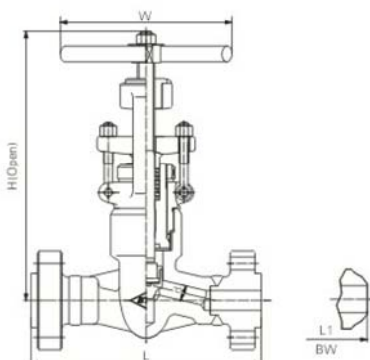
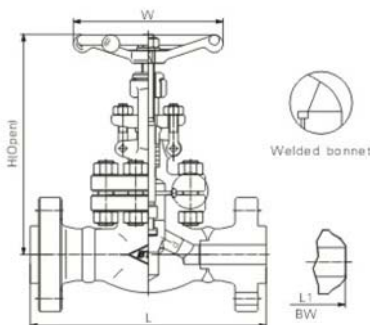
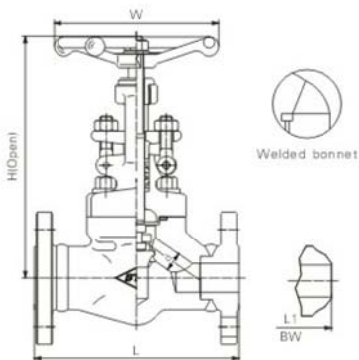
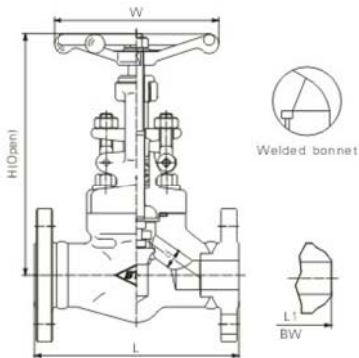


When the disc in the middle of the full lifting height, medium flow can to be reduced or increased according to control scale.



When disc in full open position, valves permit max flow to go through its port, medium flow can be reduced or acc. To control scale.

Flange and butt-welded globe valves



CL150-300-600

Welded bonnet, reducing port outside screw and yoke(OS & Y)
Flange or butt-welding design to BS5352

Specification(NPS)	R.P	1/4	3/8	1/2	3/4	1	1 1/4	1 1/2	2	
Face to face	CL150	-	-	108	117	127	140	165	203	
	CL300	L(RF) L1(BW)	-	-	152	178	203	216	229	267
	CL600	-	-	165	190	216	229	241	292	
Handwheel diameter	W	-	-	100	100	125	160	160	180	
Height CL150/CL300/CL600	H	-	-	155	160	198	215	235	273	
Height(angle dimension)	d	-	-	9	12	17.5	22.5	29	35	
Weight (Kg)	CL150	R F	-	-	2.6	3.3	5.0	8.4	9.5	14.5
		BW	-	-	2.0	2.8	4.2	7.8	8.8	13.0
	CL300	R F	-	-	3.3	4.6	6.7	9.6	12.1	17.0
		BW	-	-	2.8	4.0	5.7	8.2	9.8	14.7
	CL600	R F	-	-	3.5	4.8	7.2	9.6	13.2	18.5
		BW	-	-	2.9	4.0	6.2	8.1	11.7	15.1

If you want to order one piece body, please contract with sale department

CL900-CL1500

Welded bonnet, full port outside screw and yoke(OS & Y)
Flange or butt-welding design to BS5352

Specification(NPS)	F.P	1/4	3/8	1/2	3/4	1	1 1/4	1 1/2	2
Face to face	L(RF),L1(BW)	-	-	216	229	254	279	305	368
	L(RTJ)	-	-	216	229	254	279	305	371
Handwheel diameter	W	-	-	125	125	160	160	180	200
Height	H	-	-	193	193	212	235	257	300
Height(angle dimension)	d	-	-	11	14.5	19	26	29	33
Weight (Kg)		-	-	5.2	8.8	11.2	13.8	21.6	28.3

If you want to order one piece body, please contract with sale department

CL2500

Welded bonnet, full port outside screw and yoke(OS & Y)
Welding flange or butt-welded design conform to ASME B16.34

Specification(NPS)	F.P	1/4	3/8	1/2	3/4	1	1 1/4	1 1/2	2
Face to face	L(RF),L1(BW)	-	-	264	273	308	-	-	-
	L(RTJ)	-	-	264	273	308	-	-	-
Handwheel diameter	W	-	-	160	160	160	-	-	-
Height	H	-	-	208	208	217	-	-	-
Height(angle dimension)	d	-	-	12	14.2	19	-	-	-
Weight (Kg)		-	-	19.5	21.5	42	-	-	-

CL2500

Pressure seal bonnet, full port outside screw and yoke(OS & Y)
Welding flange or butt-welded design conform to ASME B16.34

Specification(NPS)	F.P	1/4	3/8	1/2	3/4	1	1 1/4	1 1/2	2
Face to face	L(RF),L1(BW)	-	-	264	273	308	349	384	451
	L(RTJ)	-	-	264	273	308	349	387	454
Handwheel diameter	W	-	-	200	200	200	270	270	300
Height	H	-	-	330	330	330	480	480	530
Height(angle dimension)	d	-	-	13	16	19	25	28	36
Weight(Kg)		-	-	21.5	24.7	30.4	48.1	58.1	130